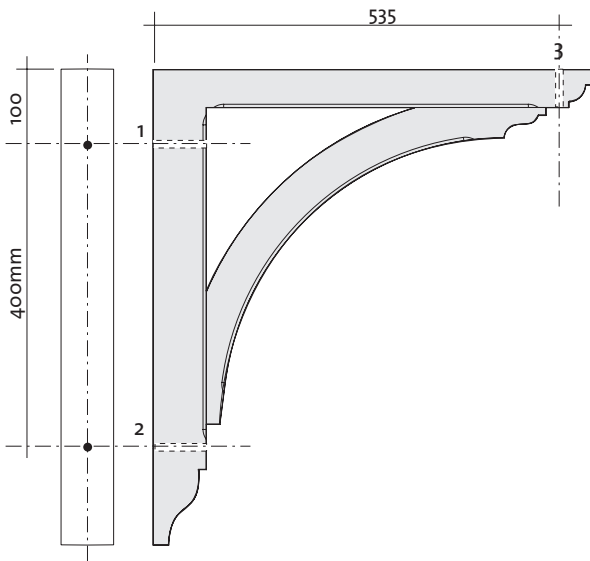


INSTALLATION INSTRUCTIONS

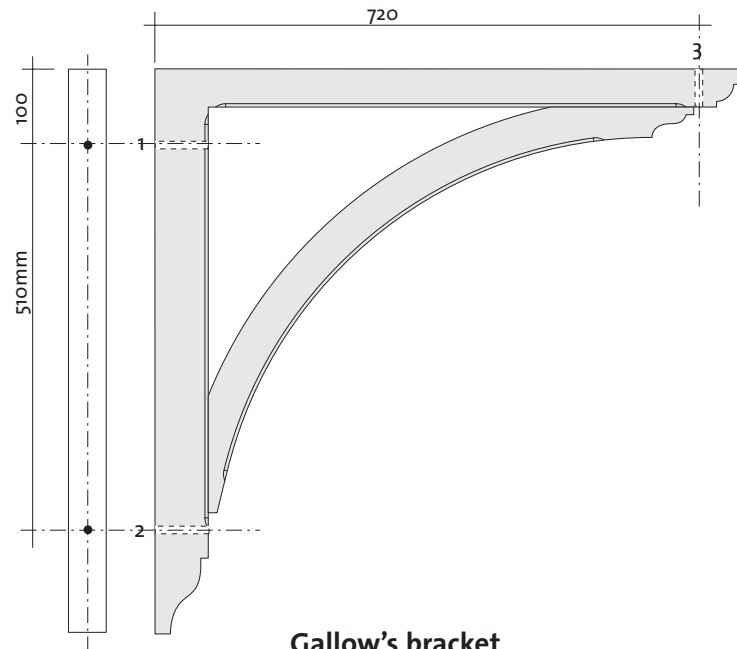
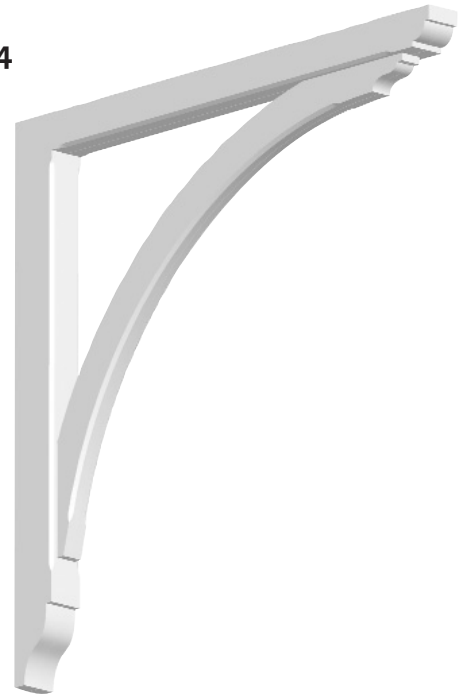
GB.03



**Gallow's bracket
GB.03**

70 x 630 x 580 mm
2³/₄" x 24¹³/₁₆" x 22⁷/₈"
(W x H x D)
structural max. 75 kg*

GB.04



**Gallow's bracket
GB.04**

50 x 745 x 770 mm
2" x 29⁵/₁₆" x 30⁵/₁₆"
(W x H x D)
structural max. 75 kg*

* Tested by University of Ostend, and applies where loading is evenly distributed across the brackets.

